



date: MAR 26 1982

from: L.A. Taylor, Vice-President, Technology


to: J.F. Tyson Dept. 2Z00 CENTRAL

copies to: K. Beuchner Dept. 2A00 CENTRAL
J. Lapointe Dept. 8E70 MERILINE

subject: United States Design Patent DES.263,208
issued: March 2, 1982
entitled: ELECTRICAL TEST SET HOUDING
MEMBER
invented by: C.D. Read

We have received notification from Northern's Patent Department that the above-identified Patent has been granted.

Would you please present the enclosed copy of the patent to Clifford D. Read with my congratulations.


L. A. Taylor,
Vice-President,
Technology.

[54] ELECTRICAL TEST SET HOUSING MEMBER

[75] Inventor: Clifford D. Read, Almonte, Canada

[73] Assignee: Northern Telecom Limited, Montreal, Canada

[**] Term: 14 Years

[21] Appl. No.: 91,593

[22] Filed: Nov. 5, 1979

[51] Int. Cl. D10-07

[52] U.S. Cl. D10/80

[58] Field of Search D10/75, 78, 80, 46, D10/102, 103; 329/156; 361/331; D13/40, 41

[56] References Cited

U.S. PATENT DOCUMENTS

D. 218,117 7/1970 Sato D10/46 X

D. 237,060	10/1975	Engehard	D10/46
D. 237,785	11/1975	Hegel	D10/46
D. 244,434	5/1977	Moore	D10/46
D. 248,929	8/1978	Connolly	D10/102
D. 255,014	5/1980	Hill	D10/75

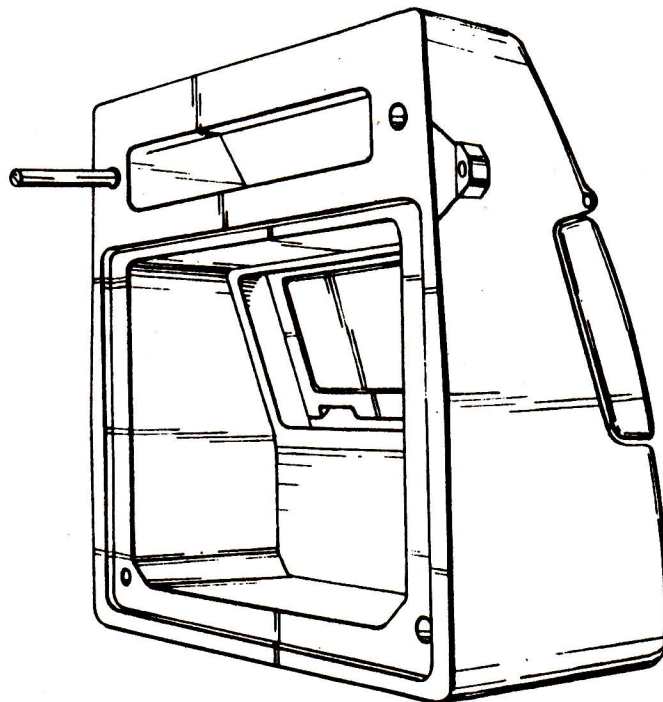
Primary Examiner—Nelson C. Holtje
Attorney, Agent, or Firm—R. J. Austin

[57] CLAIM

The ornamental design for an electrical test set housing member, substantially as shown and described.

DESCRIPTION

FIG. 1 is a front elevational view of an electrical test set housing member showing my new design; FIG. 2 is a top plan view thereof; FIG. 3 is a bottom plan view thereof; FIG. 4 is a right side elevational view thereof; FIG. 5 is a rear elevational view thereof; FIG. 6 is a left rear perspective view thereof.



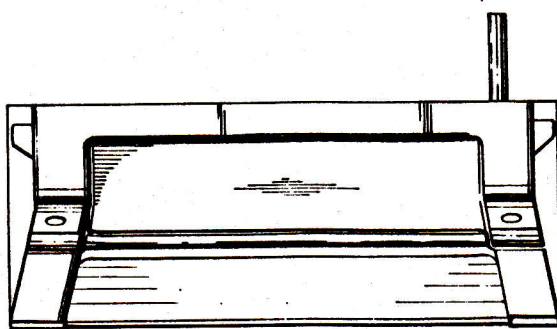


Fig. 2

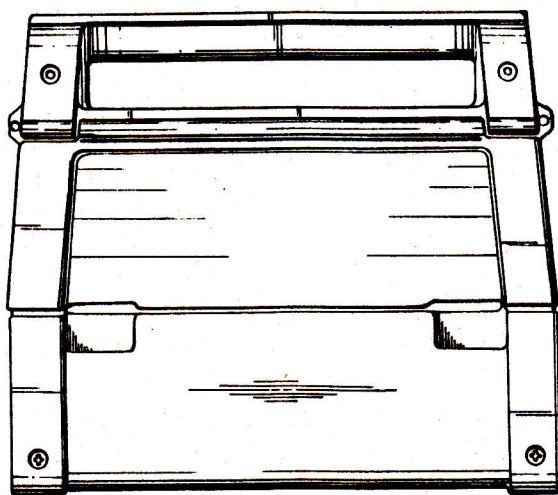


Fig. 1

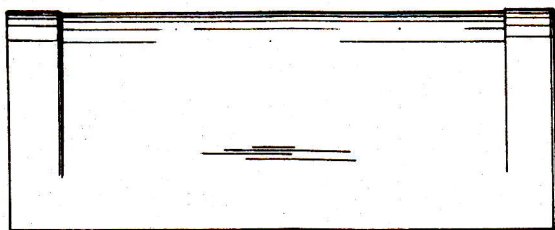


Fig. 3

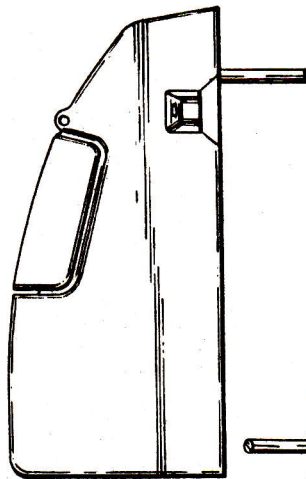


Fig. 4.

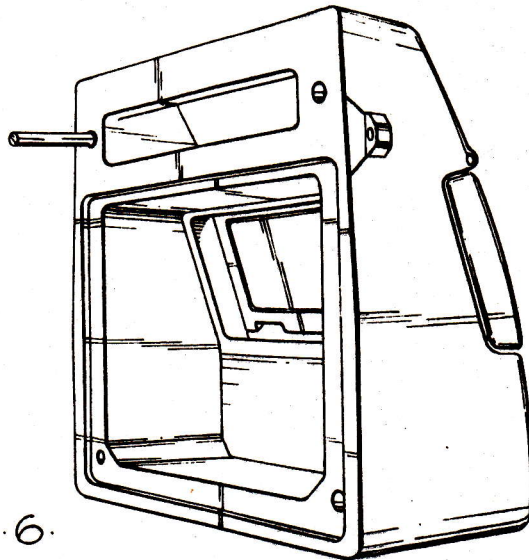


Fig. 6.

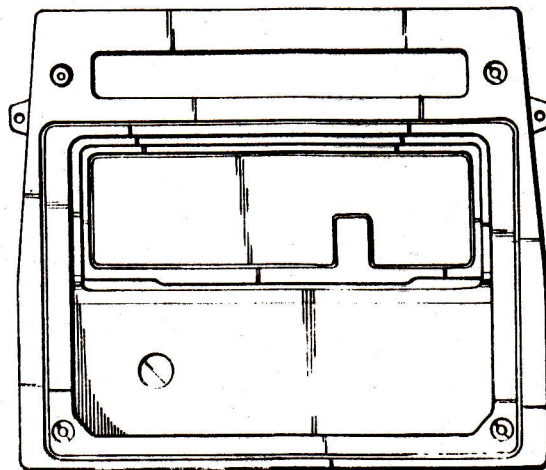


Fig. 5.