



30 October 1985

|            |             |      |         |
|------------|-------------|------|---------|
| to:        | C. D. Read  | 2Z21 | Carling |
| from:      | P. Cashin   | 2X00 | Carling |
| copies to: | K. Buechner | 0B00 | Carling |
|            | P. Trussler | 2Z01 | Carling |
|            | D. Ryan     | 2Z21 | Carling |

subject: United States Patent No. D280619  
 Issued on 17 September 1985  
 Title: HOUSING FOR A TELEPHONE HANDSET  
 Inventors: M. Brown, C. D. Read and W. K. Ellis

I was pleased to hear that a patent on an invention by yourself,  
 M. Brown and W. Ellis entitled:

HOUSING FOR A TELEPHONE HANDSET

has been granted in the United States.

Enclosed is your copy of the patent. Congratulations.

*Peter*

Peter Cashin  
 Assistant Vice-President  
 Computing Technology and  
 Design Interpretive

|                            |              |       |
|----------------------------|--------------|-------|
| 280619                     | D 97         | 242-1 |
| NORTHERN TELECOM LIMITED   |              |       |
| PATENT DEPT. -267          |              |       |
| P.O. BOX 3511, STATION "C" |              |       |
| OTTAWA, ONTARIO, CANADA    |              |       |
| 09100481                   | ZIP: K1Y 4H7 |       |
| 09/23                      | LA 1526440   | D888  |

# United States Patent [19]

Brown et al.

[11] Patent Number: **Des. 280,619**

[45] Date of Patent: **\*\* Sep. 17, 1985**

[54] HOUSING FOR A TELEPHONE HANDSET

[75] Inventors: **Michael Brown, Nepean; Clifford D. Read, Almonte; Warren K. Ellis, Constance Bay, all of Canada**

[73] Assignee: **Northern Telecom Limited, Montreal, Canada**

[\*\*] Term: **14 Years**

[21] Appl. No.: **466,416**

[22] Filed: **Feb. 15, 1983**

[52] U.S. Cl. .... **D14/63; D14/64; D14/53**

[58] Field of Search ..... **D14/52, 53, 55, 58, D14/63, 64; 179/179, 178, 100 R, 100 C, 100 D**

[56] **References Cited**

## U.S. PATENT DOCUMENTS

|            |        |                |       |        |
|------------|--------|----------------|-------|--------|
| D. 210,378 | 3/1968 | Perkins        | ..... | D14/63 |
| D. 211,645 | 7/1968 | Perkins        | ..... | D14/53 |
| D. 229,837 | 1/1974 | Genaro et al.  | ..... | D14/53 |
| D. 235,069 | 5/1975 | Todeschini     | ..... | D14/53 |
| D. 236,627 | 9/1975 | Henshaw et al. | ..... | D14/63 |

D. 245,602 8/1977 Genaro et al. .... D14/63

D. 248,649 7/1978 Breger ..... D14/53

D. 256,465 8/1980 Tyler ..... D14/63

D. 267,316 12/1982 Fukushima et al. .... D14/58

## OTHER PUBLICATIONS

"The Automatic Telephone", by C & P, folder showing Amer. Telecommunication Corp. Answering & Message Recording Set.

*Primary Examiner*—Wallace R. Burke

*Assistant Examiner*—Horace B. Fay

*Attorney, Agent, or Firm*—Sidney T. Jelly

## [57] CLAIM

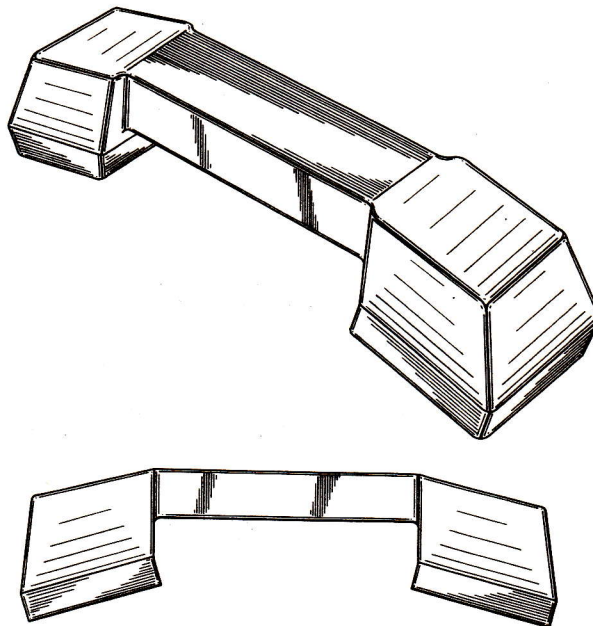
The ornamental design for a housing for a telephone handset, substantially as shown and described.

## DESCRIPTION

FIG. 1 is a top and side perspective view from above of a housing for a telephone handset showing our new design;

FIG. 2 is a side elevational view thereof, it being understood that the view of the side opposite to that shown is substantially a mirror image; and

FIG. 3 is a bottom plan view thereof.



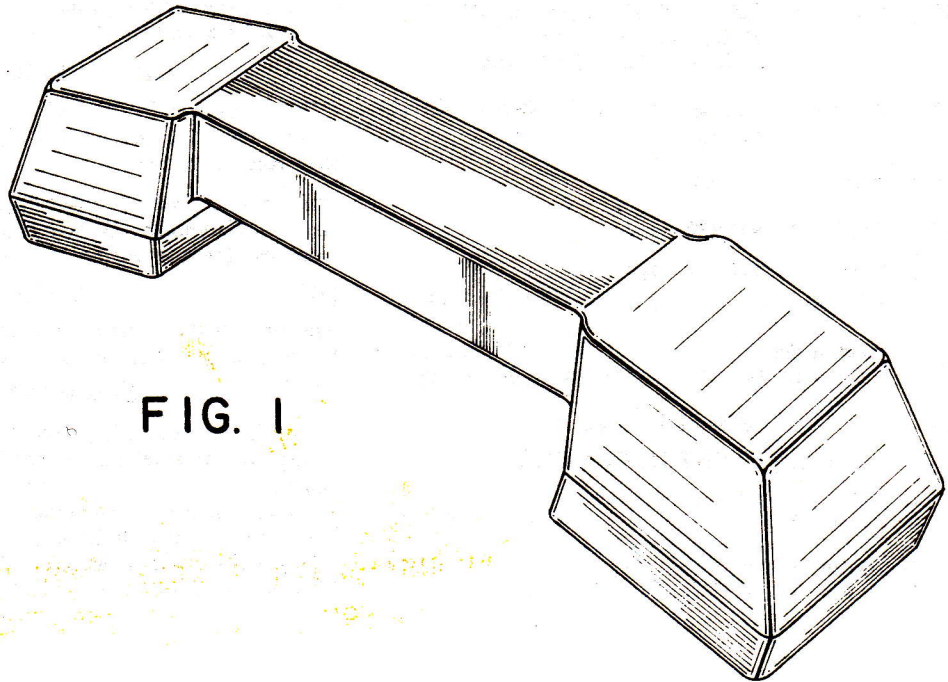


FIG. 1

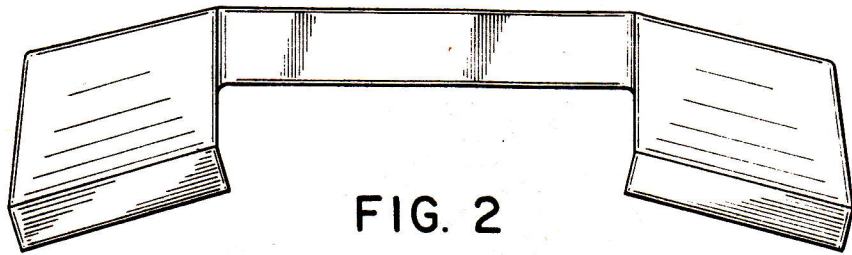


FIG. 2

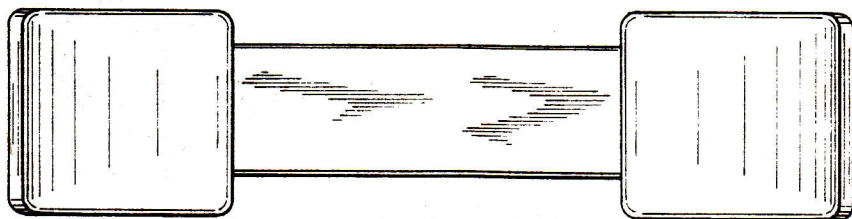


FIG. 3