

4 March 1986

to: C. Read 9Z21 Carling
from: P. Cashin 9X00 Carling
copies to: K. Buechner 0B00 Carling
P. Trussler 9Z01 Carling

subject: United States Design Patent No. 282,362
Issued on 28 January 1986
Title: HOUSING FOR A TELEPHONE HANDSET
Inventors: C. D. Read, M. Brown, and W. K. Ellis

I was pleased to hear that a patent on an invention by yourself,
M. Brown, and W. K. Ellis entitled:

HOUSING FOR A TELEPHONE HANDSET

has been granted in the United States.

Enclosed is your copy of the patent. Congratulations.

Peter

Peter M. Cashin
Assistant Vice-President
Computing Technology and Design Interpretive

United States Patent [19]

Brown et al.

[11] Patent Number: Des. 282,362

[45] Date of Patent: ** Jan. 28, 1986

[54] HOUSING FOR A TELEPHONE HANDSET

[75] Inventors: Michael Brown, Nepean; Clifford D. Read, Almonte; Warren K. Ellis, Constance Bay, all of Canada

[73] Assignee: Northern Telecom Limited, Montreal, Canada

[**] Term: 14 Years

[21] Appl. No.: 466,419

[22] Filed: Feb. 15, 1983

[52] U.S. Cl. D14/63; D14/64; D14/56

[58] Field of Search D14/52, 53, 63, 56, D14/64, 58-59; 179/100 D, 100 C, 101, 102, 103, 179, 100 R

[56] References Cited

U.S. PATENT DOCUMENTS

D. 242,928	1/1977	Buchin et al.	D14/63
D. 258,283	2/1981	Stoddard	D14/53
D. 268,411	3/1983	Banko	D14/63
D. 269,612	7/1983	Foggia	D14/53

D. 269,874	7/1983	Huntington	D14/53
D. 270,155	8/1983	Shimizu	D14/56
D. 275,005	8/1984	Genaro et al.	D14/63
D. 275,568	9/1984	Marshall	D14/63
4,354,063	10/1982	Kuka	D14/63

OTHER PUBLICATIONS

Machine—Magazine—Spring 1982, p. 13; Handset for SAM Answering Phone Moline—"Phone-Mate".

Primary Examiner—James R. Largen

Assistant Examiner—Horace B. Fay

Attorney, Agent, or Firm—Sidney T. Jelly

[57] CLAIM

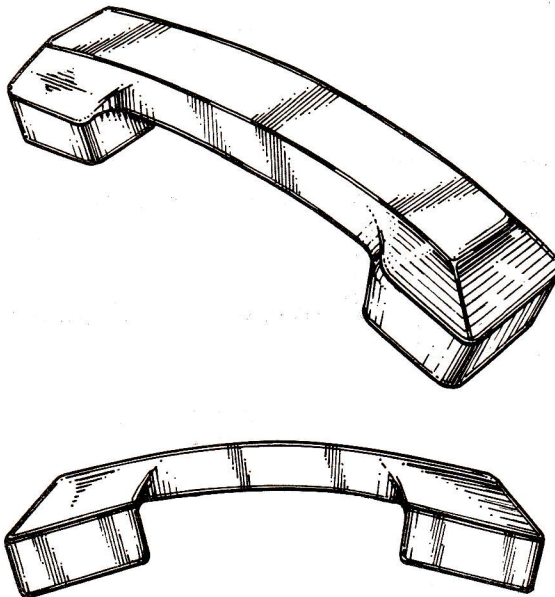
The ornamental design for a housing for a telephone handset, substantially as shown and described.

DESCRIPTION

FIG. 1 is a side and top perspective view from above of a housing for a telephone handset showing our new design;

FIG. 2 is an elevational view of one side thereof, the view from the other side being a mirror image; and

FIG. 3 is a bottom plan view thereof.



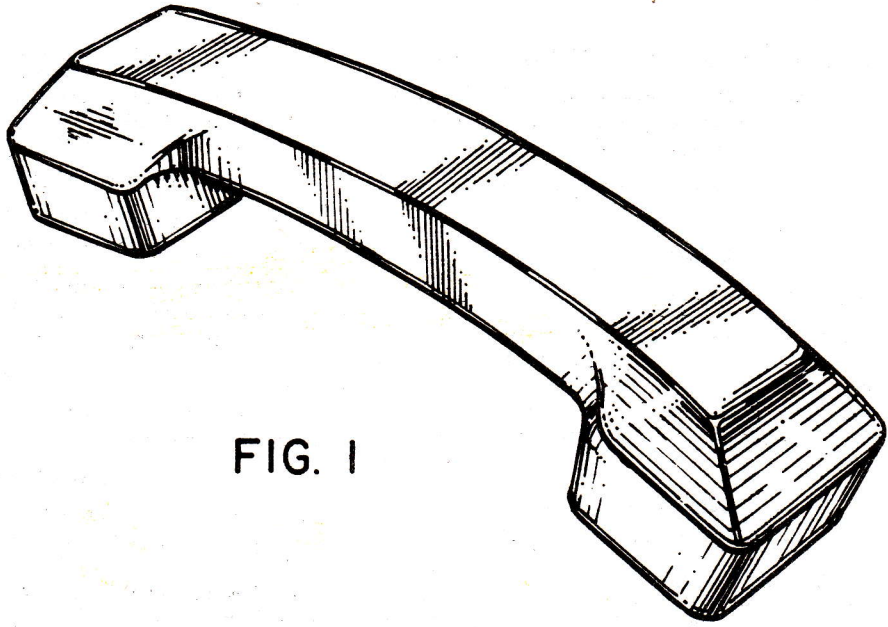


FIG. 1

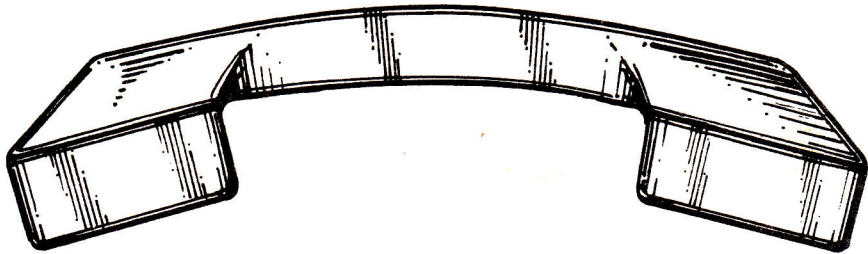


FIG. 2

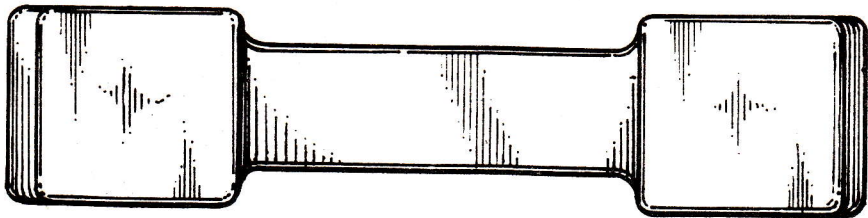


FIG. 3