



US00D349900S

United States Patent [19]

[11] Patent Number: Des. 349,900

Read et al.

[45] Date of Patent: ** Aug. 23, 1994

[54] TELEPHONE BASE

[75] Inventors: Clifford D. Read, Stittsville; Paul J. Koens, Ashton; Ernie R. Dynie, Nepean, all of Canada

[73] Assignee: Northern Telecom Limited, Montreal, Canada

[**] Term: 14 Years

[21] Appl. No.: 9,988

[22] Filed: Jun. 28, 1993

[52] U.S. Cl. D14/151

[58] Field of Search 379/419, 420, 428, 440, 379/434, 435, 436; D14/137, 138, 140, 142, 240, 241, 149, 150, 151; D13/108, 184

[56] References Cited

U.S. PATENT DOCUMENTS

D. 303,385	9/1989	Desbarats	D14/142
D. 307,905	5/1990	Helstab et al.	D14/151
D. 311,191	10/1990	Ando	D14/241

D. 332,786	1/1993	Gagnon	D14/142
D. 340,715	10/1993	Desbarats	D14/151
D. 340,906	11/1993	Nagele et al.	D13/108
D. 342,247	12/1993	Desbarats	D14/151 X
D. 345,159	3/1994	Langlois	D14/151

Primary Examiner—Nelson C. Holtie

Assistant Examiner—Jeffrey Asch

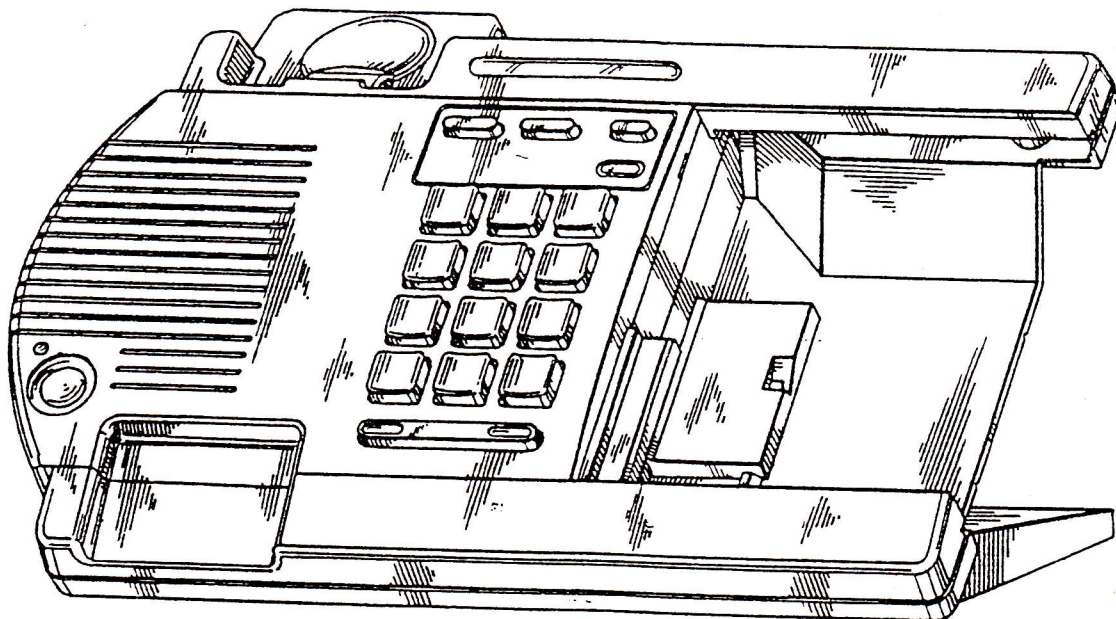
Attorney, Agent, or Firm—R. J. Austin

[57] CLAIM

The ornamental design for a telephone base, as shown and described.

DESCRIPTION

FIG. 1 is a front elevational view of the telephone base showing our new design;
 FIG. 2 is a rear elevational view thereof;
 FIG. 3 is a top plan view thereof;
 FIG. 4 is a bottom plan view thereof;
 FIG. 5 is a right hand side view thereof;
 FIG. 6 is a left hand side view thereof; and,
 FIG. 7 is an isometric front elevational view thereof.



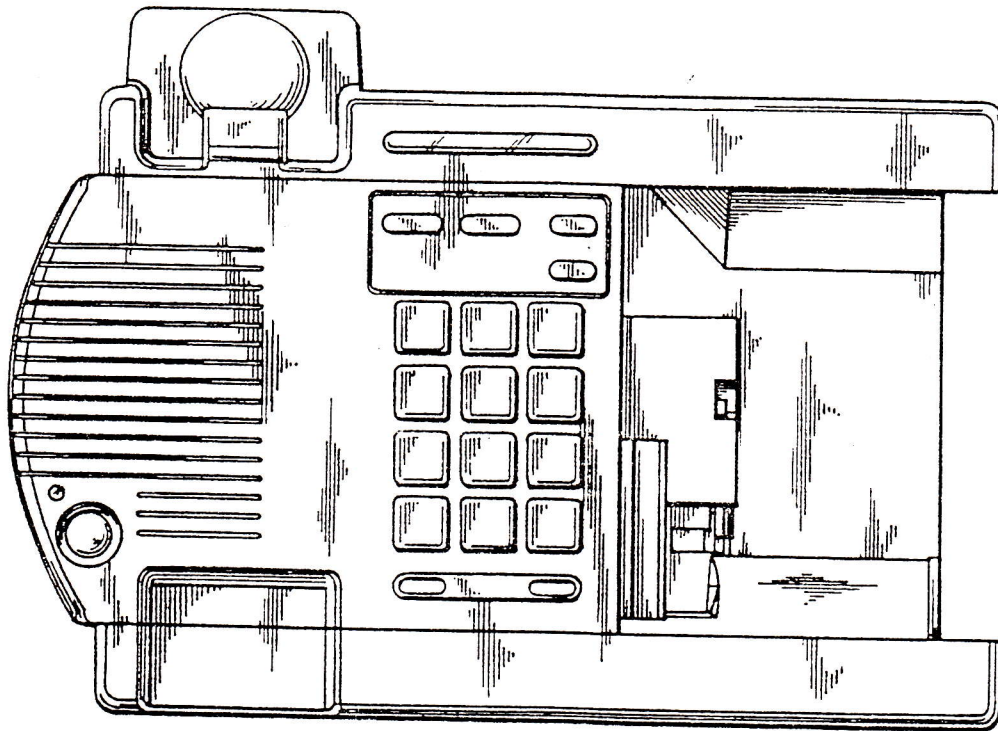


FIG. 1

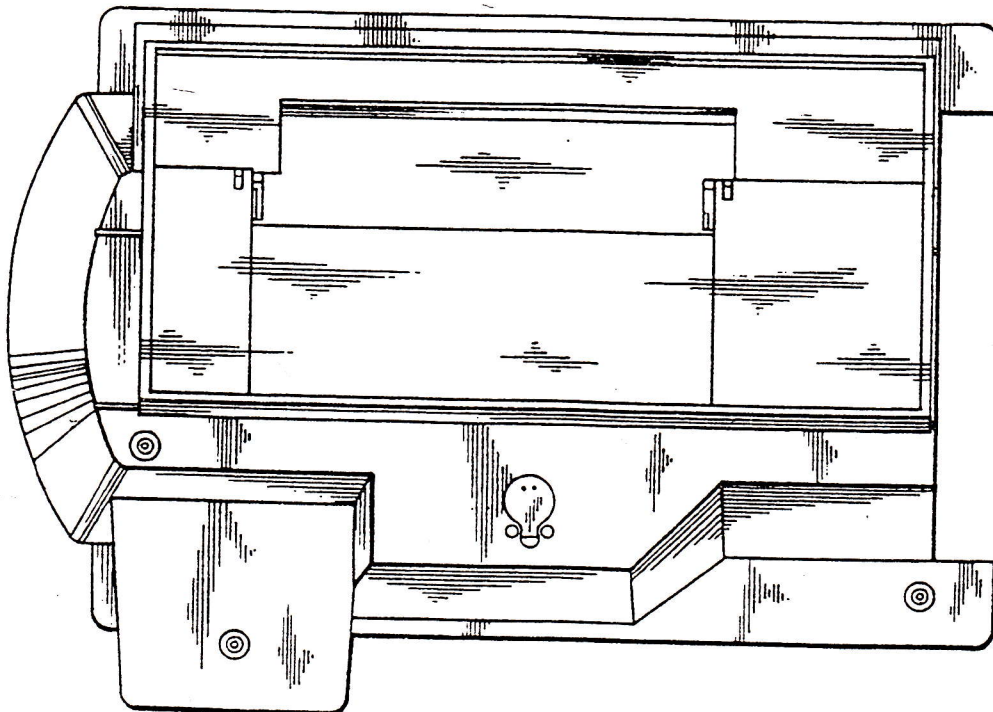


FIG. 2

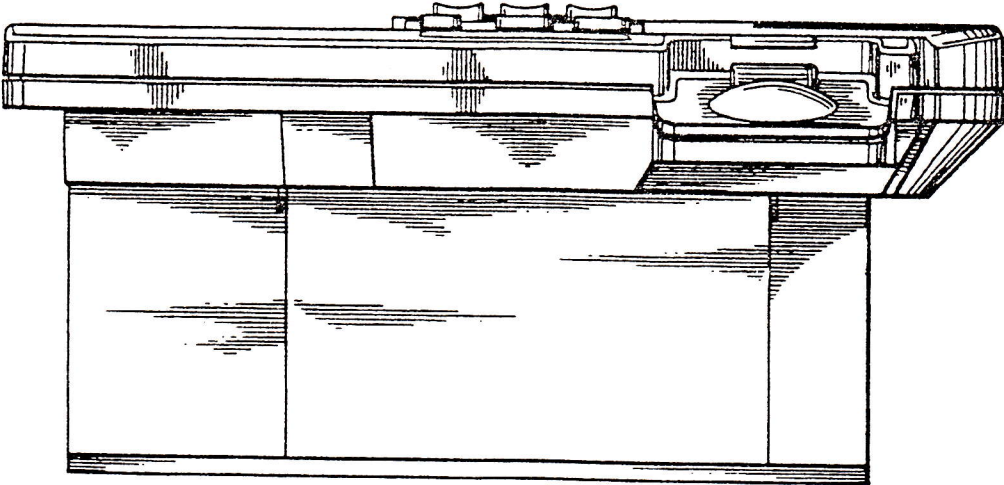


FIG. 3

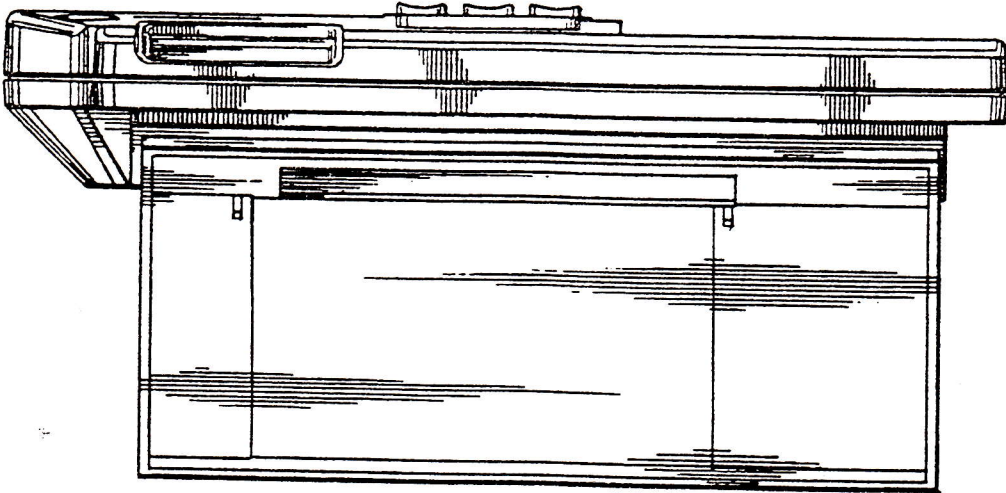


FIG. 4

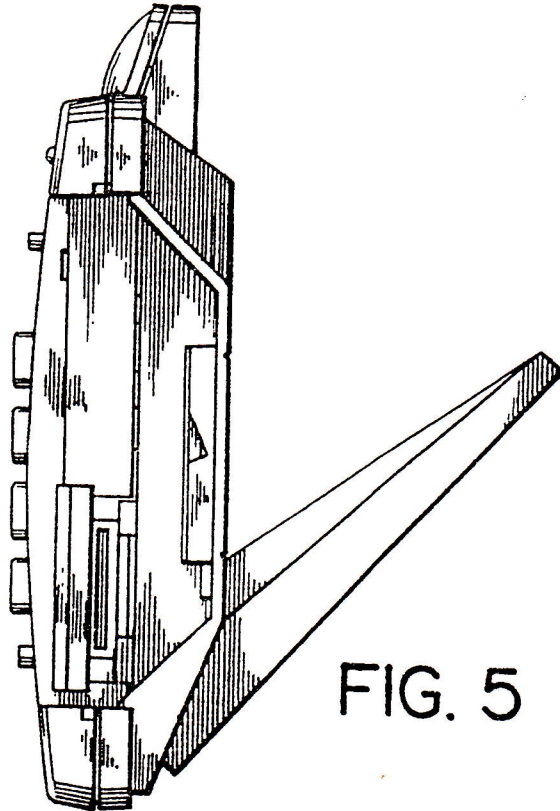


FIG. 5

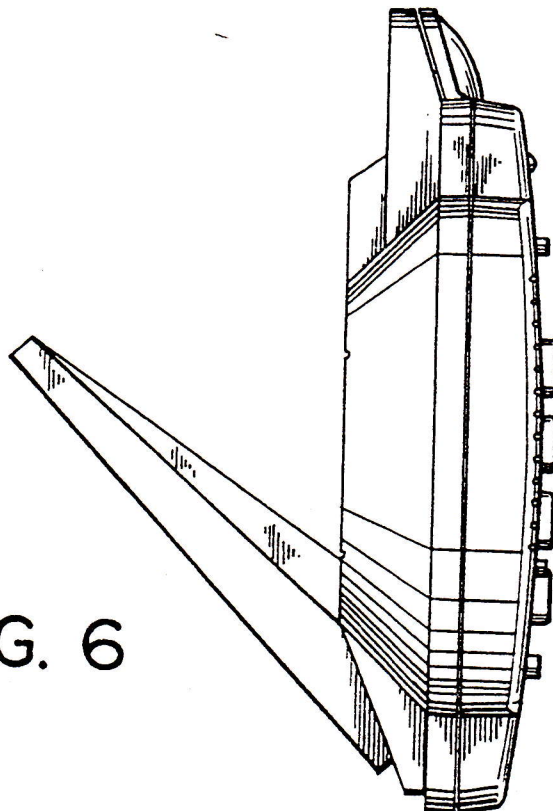


FIG. 6

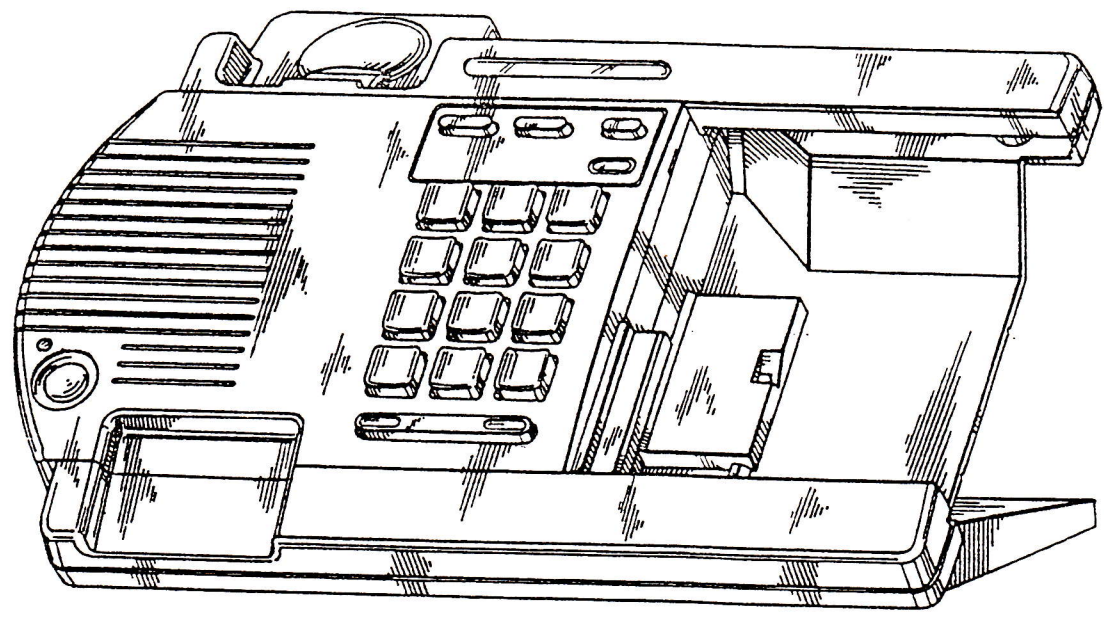


FIG. 7