

Angela de Wilton
Director IP,
Advanced Technology

Dept. 0090 IP Law Group (Patent Department) NTPAT
Tel 613 721-3020 (ESN 350)
Fax 613 721-3017 (ESN 350)



How the world shares ideas.

Memorandum

Date November 26, 1998
To Clifford Read 0K10 CAR
Copy Patricia Brooks 0K10 CAR
From Angela de Wilton, NTPAT
Subject Notification of Patent Filing Our Ref: Read, 64-2 (RO-4224)

Congratulations

The Ottawa IP Law Group is pleased to announce that an application for a patent for your invention entitled

BURIED FIBER TERMINAL

By: Clifford Read and Peter Wells

has been filed with the United States Patent Office on August 14, 1998.

In recognition of this contribution, you are eligible for a monetary award as set out in Corporate Policy 400.05. **Further details, including your manager's responsibilities for initiating the payment procedure, are set out in Corporate Procedure 401.01.**
(http://47.28.160.118/_CPP/index.html)

As you will be aware, since the contents of your application are proprietary, no disclosure outside the corporation prior to Government Patent Office publication without approval of the IP Law Group (Patent Department) should take place.

A handwritten signature in blue ink that reads "Angela de Wilton".

Angela de Wilton
Director IP,
Advanced Technology

cc Peter Trussler, CDG IP Sponsor, 0K00, MS050, CAR
Jamie Littlejohn, CDG IP Prime, 0K10, MS050, CAR
Human Resources, 1401, BRAM

U.S. Design Patent Application
In the United States Patent & Trademark Office

SPECIFICATION

BE IT KNOWN THAT, CLIFFORD D. READ and PETER WELLS, citizens of Canada, and residents of Ontario, have invented a new, original and ornamental design for a BURIED FIBER TERMINAL of which the following is a specification, reference being had to the accompanying drawings, forming a part hereof.

FIGURE 1 is an exploded top perspective view from the front and one side showing the buried fiber terminal of the design;

FIGURE 2 is a top plan view thereof;

FIGURE 3 is a front elevational view thereof;

FIGURE 4 is a rear elevational view thereof;

FIGURE 5 is a left side elevational view thereof;

FIGURE 6 is a right side elevational view thereof;

and

FIGURE 7 is a left side elevational view thereof shown in its environment of use.

WE CLAIM:

The ornamental design for a buried fiber terminal as shown and described.

1/5

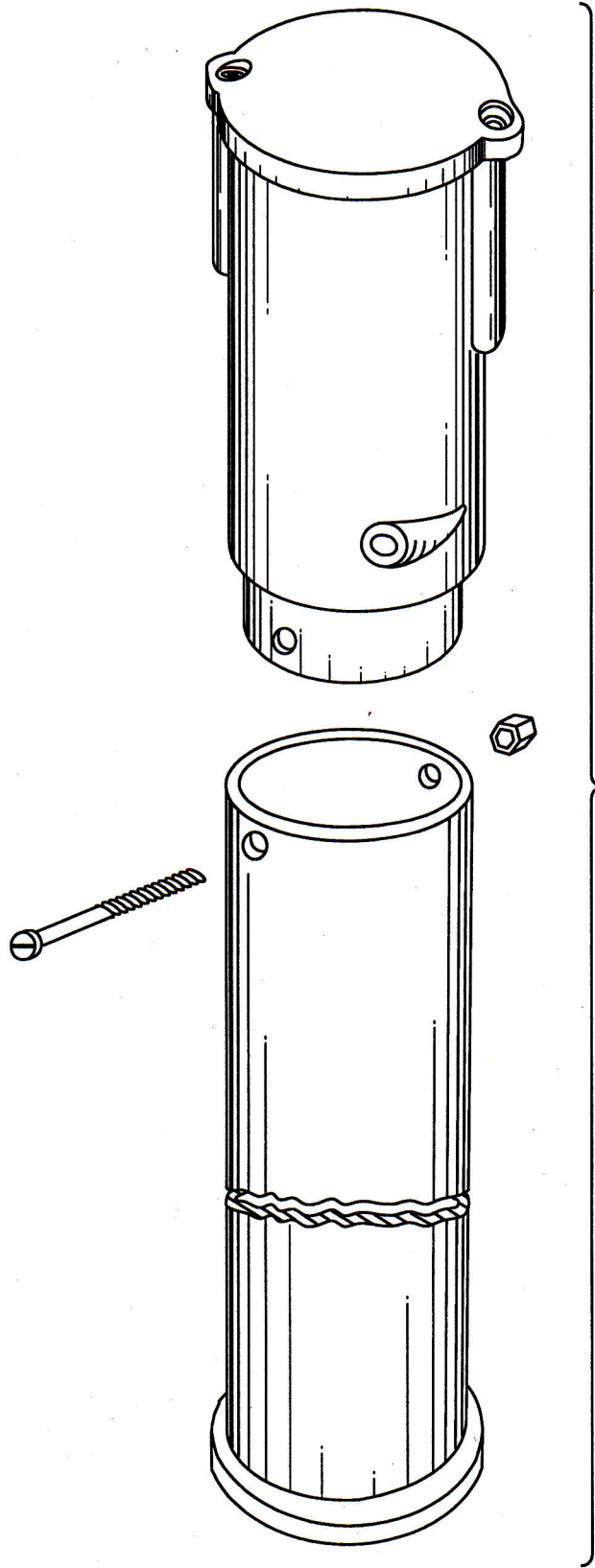


FIG. 1

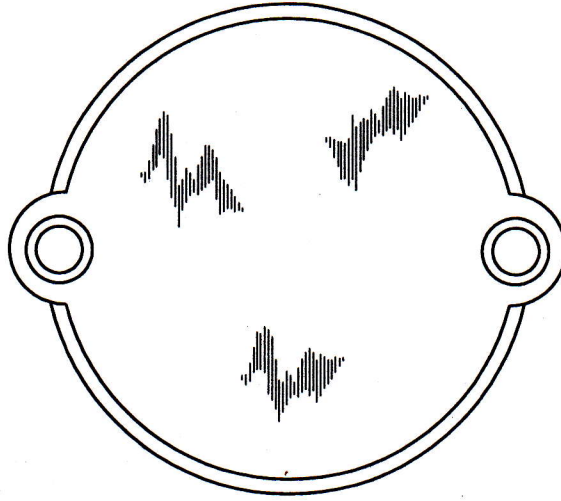


FIG. 2

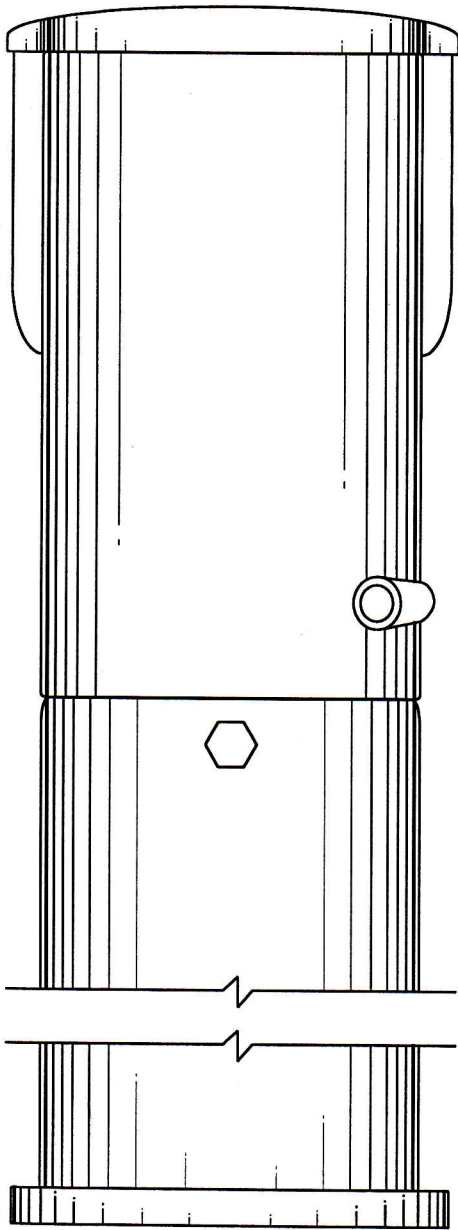


FIG. 3

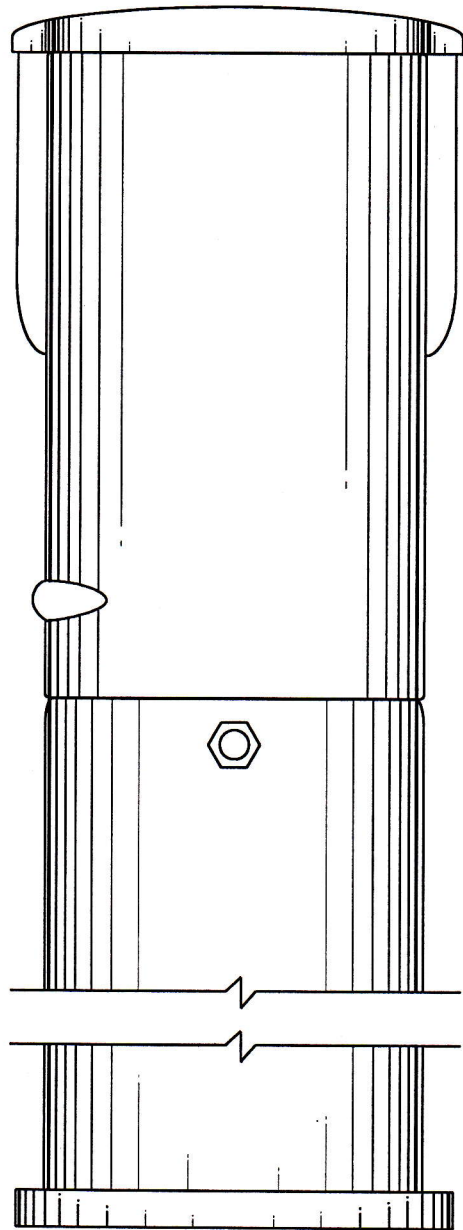


FIG. 4

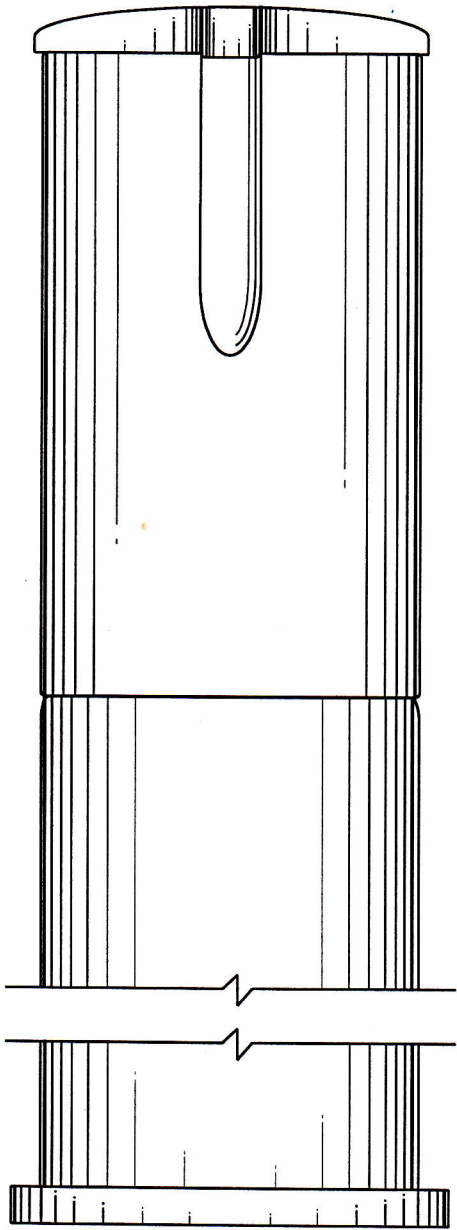


FIG. 5

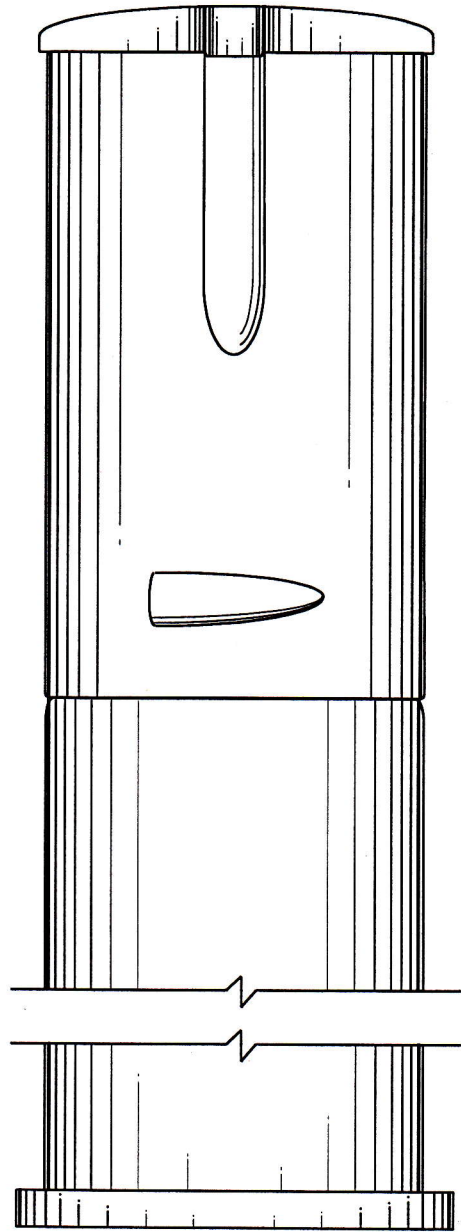


FIG. 6

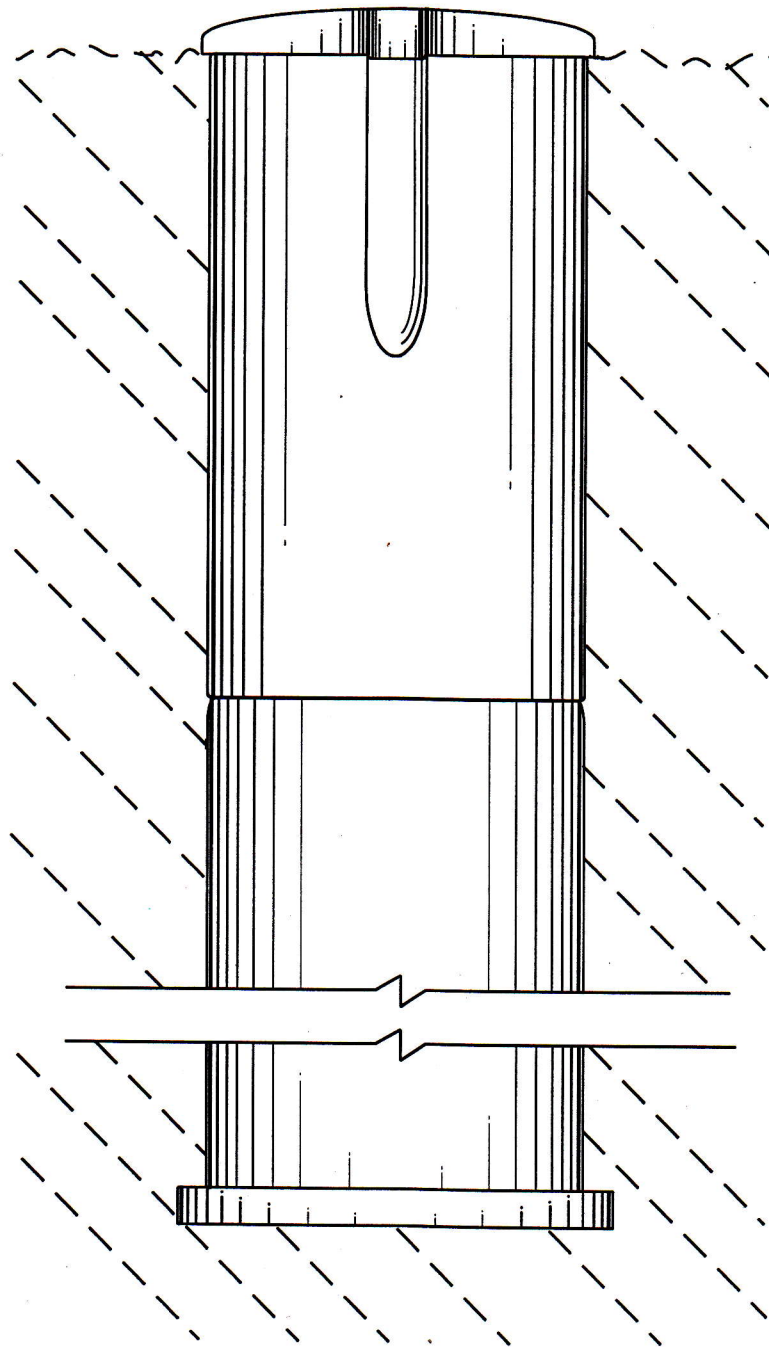


FIG. 7