

MEMORANDUM

June 10, 1985

To: K. Buechner Dept. 0B00 Carling
From: S.T. Jelly Dept. 267 Meriline
Subject: U.S. Design Patent No. D 278,236
Issued on 2 April 1985
Title: TELEPHONE SET BASE
Inventors: Michael Brown, Clifford D. Read
and Warren K. Ellis

We are pleased to advise you that the above-identified patent has been granted to Northern Telecom Limited.

Please arrange to have the enclosed copy of the patent presented to Cliff Read via his manager and advise other interested parties of this achievement.


Sidney T. Jelly,
Patent Department.

STJ/sc:Encl.

[54] TELEPHONE SET BASE

[75] Inventors: Michael Brown, Nepean; Clifford D. Read, Almonte; Warren K. Ellis, Constance Bay, all of Canada

[73] Assignee: Northern Telecom Limited, Montreal, Canada

[**] Term: 14 Years

[21] Appl. No.: 466,722

[22] Filed: Feb. 15, 1983

[52] U.S. Cl. D14/60

[58] Field of Search D14/52, 53, 58, 60, D14/61, 62, 100, 109, 114; 179/179, 147, 178, 100 R, 100 C, 100 D, 101; D7/46

[56] References Cited

U.S. PATENT DOCUMENTS

D. 151,279	10/1948	Marrison et al.	D14/60
D. 189,580	1/1961	Cannon	D14/62
D. 254,067	1/1980	Janda	D14/60
D. 255,677	7/1980	Shiono	D14/53
D. 263,589	3/1982	Read	D14/60
D. 265,560	7/1982	Janda	D14/60
D. 275,195	8/1984	Endt	D14/53
3,955,278	5/1976	Popeil	D7/46
4,256,929	3/1981	Blomberg	D79/100 D
4,277,652	7/1981	Branden et al.	179/100 D

OTHER PUBLICATIONS

Micon Industries Booklet, p. 2—Yellow & Green Stands. Telcom Report 2[1979] Sp. Issue "Telephone Systems EMS"; pp. 32 & 32a, Orange Phones—upper right, & lower center, p. 32a.

Lafayette Electronic Catalog, 1977; Fanon FTA-100 Model, p. 64; Record-A-Call VOX-70, p. 66.

Primary Examiner—Wallace R. Burke

Assistant Examiner—Horace B. Fay

Attorney, Agent, or Firm—Sidney T. Jelly

[57] CLAIM

The ornamental design for a telephone set base, substantially as shown and described.

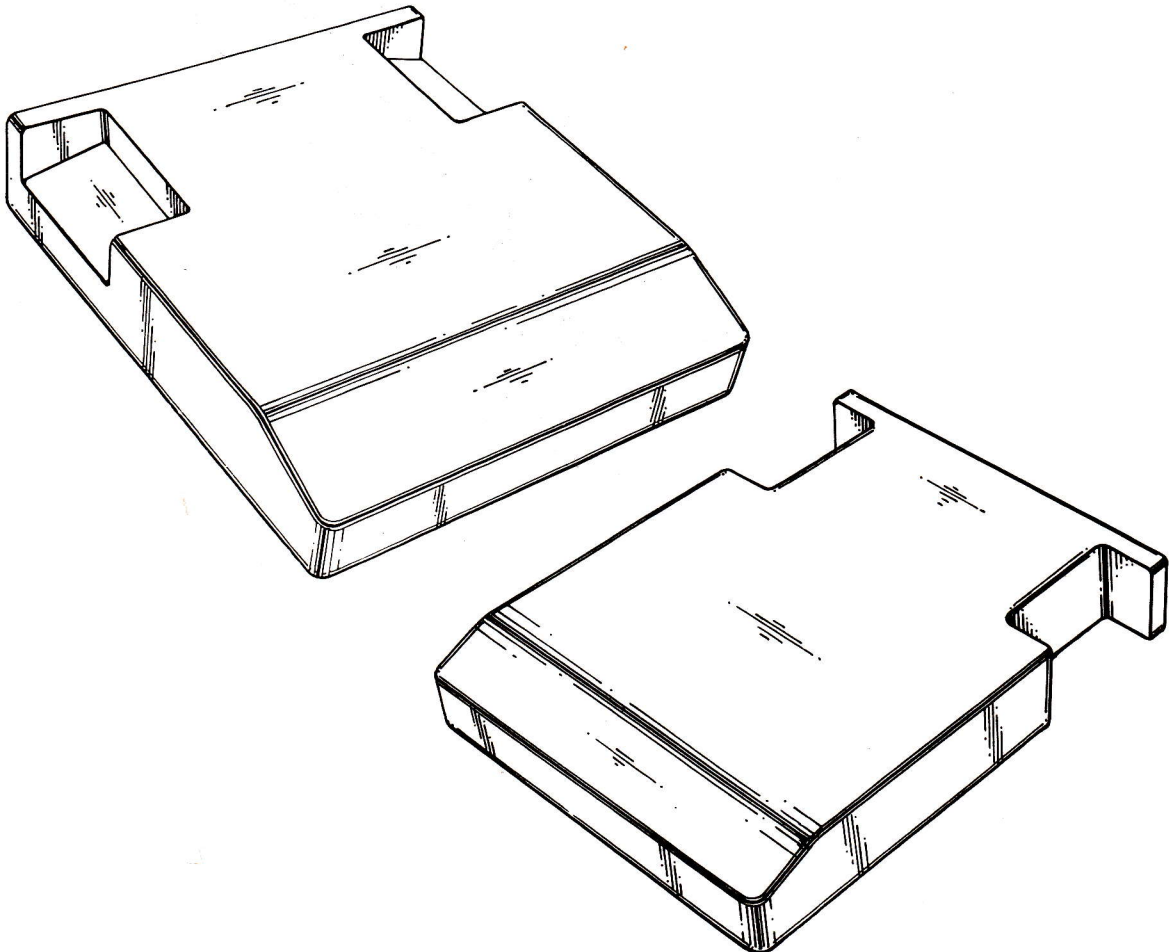
DESCRIPTION

FIG. 1 is a front, top and side perspective view of a telephone set base showing our new design;

FIG. 2 is a similar perspective view of a second embodiment thereof; and

FIG. 3 is a similar perspective view of a third embodiment thereof.

The surfaces of the undisclosed rear side and bottom side of all three embodiments are flat and unadorned, and elevational views of the sides opposite to those shown in the embodiments are mirror images of the respective disclosed sides.



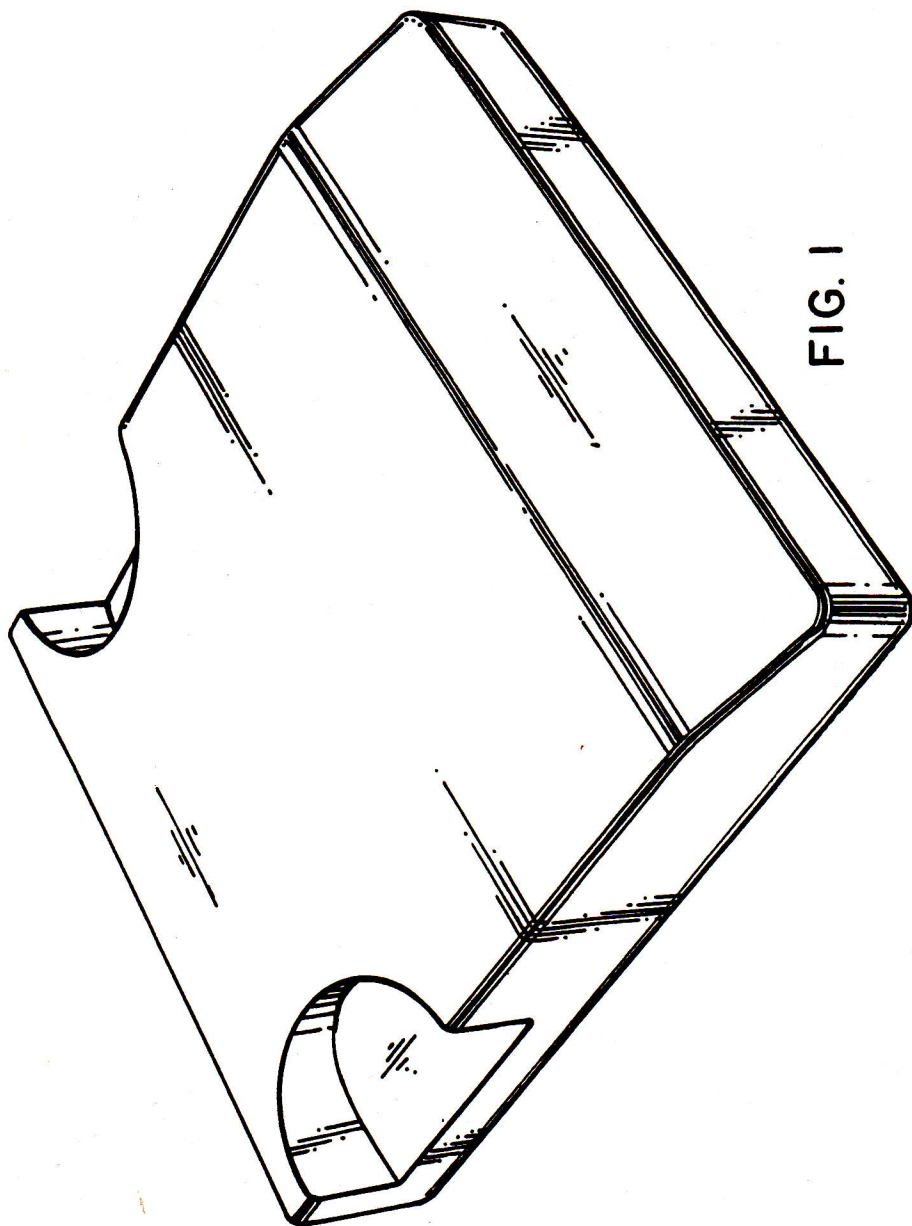


FIG. 1

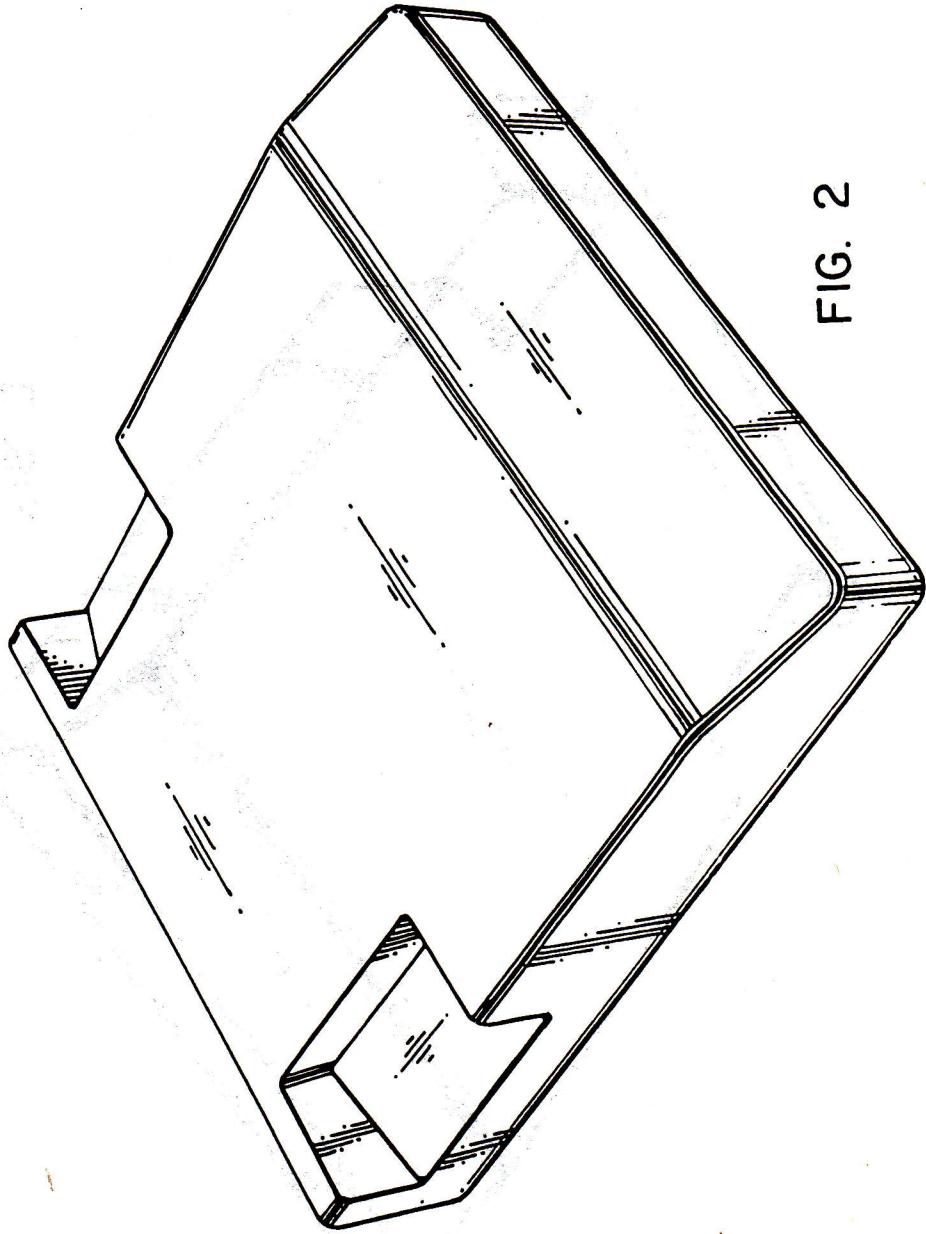


FIG. 2

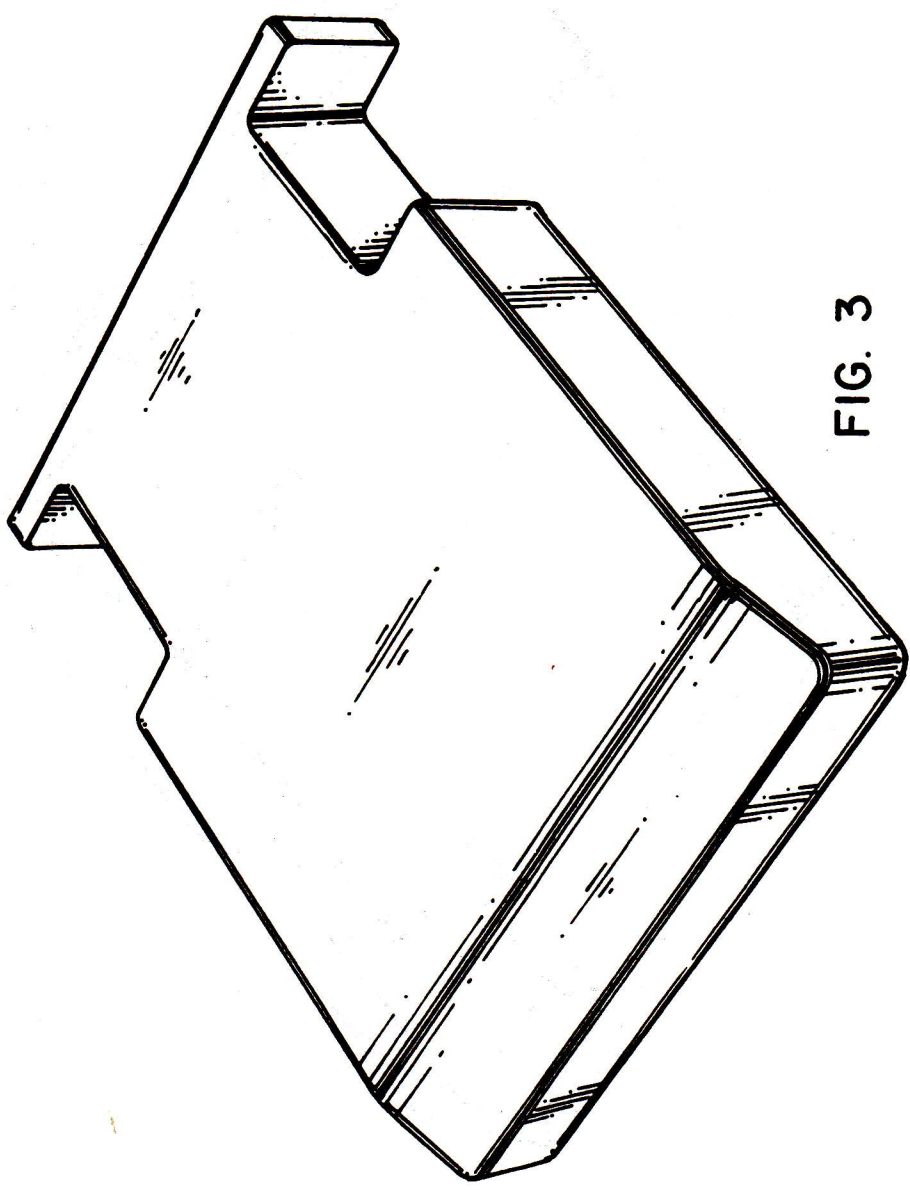


FIG. 3