

Angela C. de Wilton
Group Patent Manager
Advanced Technology

Northern Telecom Limited Tel 613 721-3020 (ESN 350)
Patent Department Fax 613 721-3017
(245 Stafford Road West)
PO Box 3511 Station C
Ottawa ON K1Y 4H7
Canada



Memorandum

Date: May 20, 1998.

To: Clifford Read - Dept. 0K10 M/S 050 CAR

Copies to: Patricia Brooks - Dept. 0K10 M/S 050 CAR
 (* see manager's instructions below)
 Peter Trussler - Dept. 0K00 M/S 050 CAR
 Jamie Littlejohn - Dept. 0K10 M/S 050 CAR
 Human Resources - Dept. 1401 NT BRAM

From: Angela C. de Wilton - Dept. 0268 NTPAT Stafford Rd

Subject: Patent Issued - Patent Department File No. READ, 60 ID (RO-3445)

We are pleased to advise that a patent has been granted for your invention as follows:

United States Patent No. 390,570
Date: February 10, 1998.
Title: WIRELESS RECEIVER
Inventor: 1. Clifford D. Read

A copy of the patent is included with the inventor's copy of this notice.

This is the first patent granted for this invention and an award is payable by the inventors' organization in accordance with Corporate Procedure 401.01 (http://47.80.10.52/cokol/CII/PAP_pre/CorpProc_401.01.html). Attention is drawn specifically to part 6.5 of the Procedure.

Angela C. de Wilton,
Group Patent Manager,
Advanced Technology.

AdeW/ab

Attach.: Patent copy - Inventor & Patent Strategist only



US00D390570S

United States Patent [19]

[11] Patent Number: **Des. 390,570**

Read

[45] Date of Patent: ****Feb. 10, 1998**

[54] **WIRELESS RECEIVER**

[75] Inventor: **Clifford D. Read, Stittsville, Canada**

[73] Assignee: **Northern Telecom Limited, Montreal, Canada**

[**] Term: **14 Years**

[21] Appl. No.: **64,732**

[22] Filed: **Jan. 9, 1997**

[51] LOC (6) Cl. **14-03**

[52] U.S. Cl. **D14/240; D14/188**

[58] Field of Search **D14/140, 142, D14/149, 240, 256, 100, 107, 114, 155, 159, 137, 188, 198, 245; D13/147, 152, 184, 164; 379/419, 420, 428, 440, 441, 442, 399, 418; 361/823, 724; 174/52.1, 59, 52.3, 53; 385/134, 135; 439/412, 417, 709; 455/347, 90, 561, 436, 550, 91; 375/211, 222**

[56] **References Cited**

U.S. PATENT DOCUMENTS

- D. 203,186 12/1965 **Kamp** D14/240
- D. 238,789 2/1976 **Ross** D14/188

- D. 272,443 1/1984 **Wong et al.** D14/155
- D. 276,998 1/1985 **Caven** D13/184
- D. 307,908 5/1990 **Pushelberg** D14/240
- D. 310,355 9/1990 **Trager** D14/114 X
- D. 313,233 12/1990 **Andrews, Sr. et al.** D14/140 X
- D. 316,264 4/1991 **Levy** D14/245
- D. 324,864 3/1992 **Hector** D14/159 X
- D. 327,887 7/1992 **Pushelberg et al.** D14/240 X
- D. 328,069 7/1992 **Langton** D14/137 X
- D. 337,114 7/1993 **Mantz** D13/184 X
- D. 372,474 8/1996 **Ford et al.** D14/240

Primary Examiner—Jeffrey Asch
Attorney, Agent, or Firm—R. J. Austin

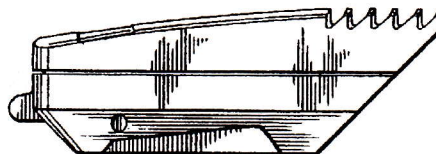
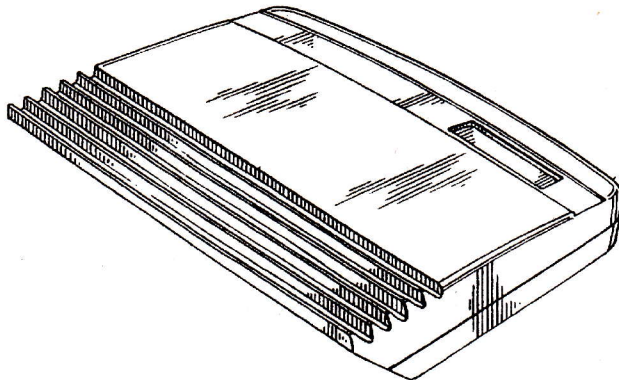
[57] **CLAIM**

The ornamental design for a wireless receiver, as shown and described.

DESCRIPTION

FIG. 1 is a front isometric view of the wireless receiver; FIG. 2 is a front elevational view thereof; FIG. 3 is a rear elevational view thereof; FIG. 4 is a top plan view thereof; FIG. 5 is a bottom plan view thereof; FIG. 6 is a left hand side view thereof; and, FIG. 7 is a right hand side view thereof.

1 Claim, 3 Drawing Sheets



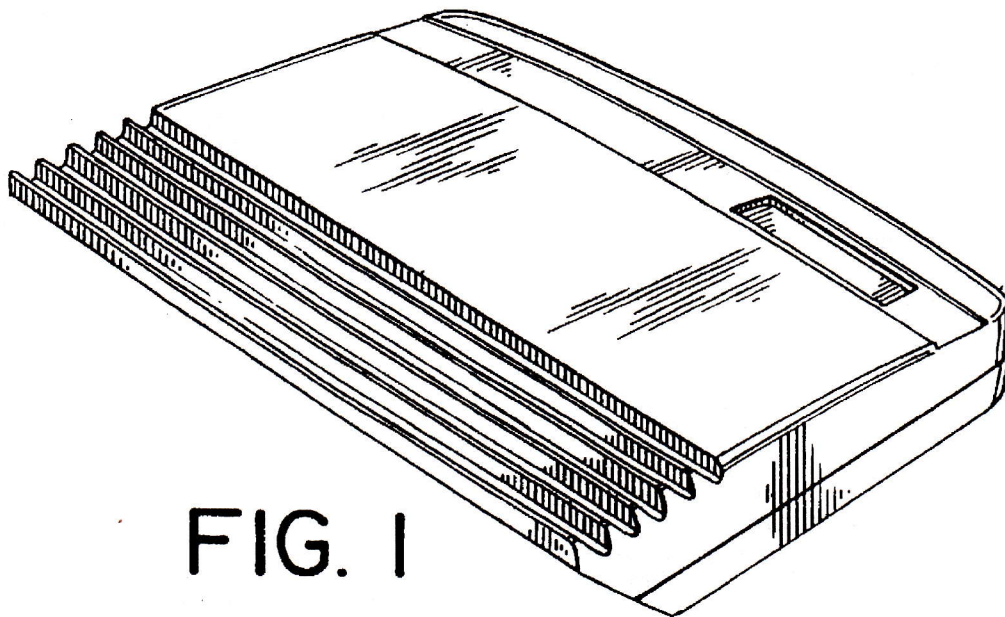


FIG. 1

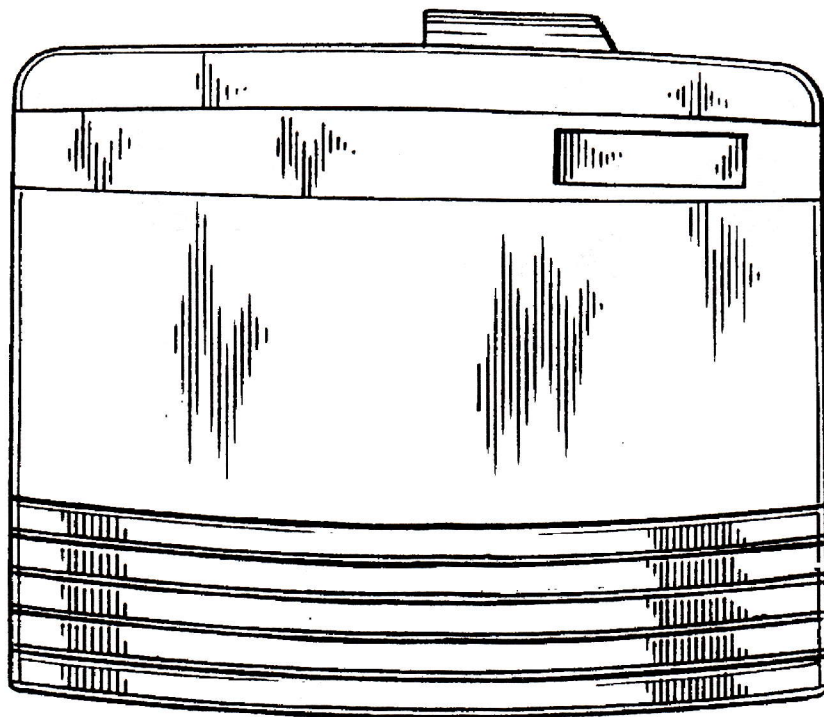


FIG. 2

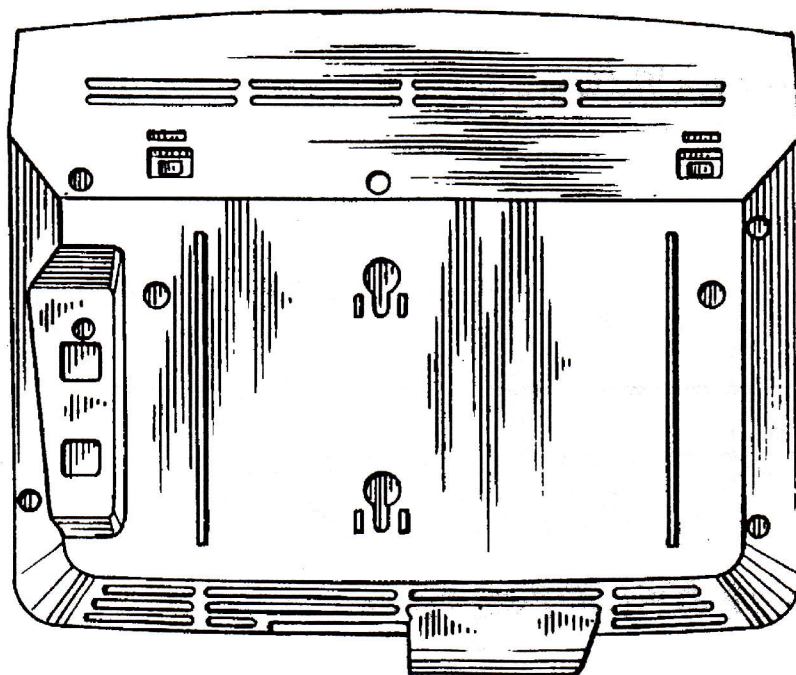


FIG. 3

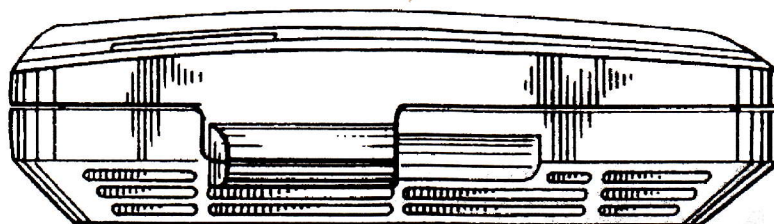


FIG. 4

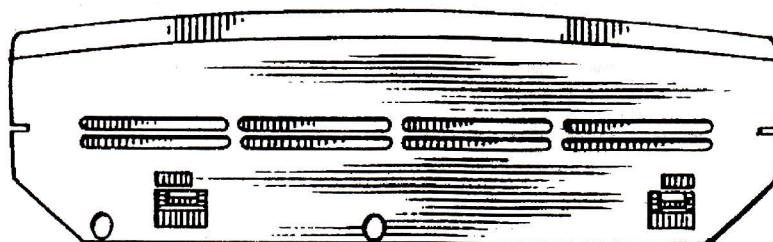


FIG. 5

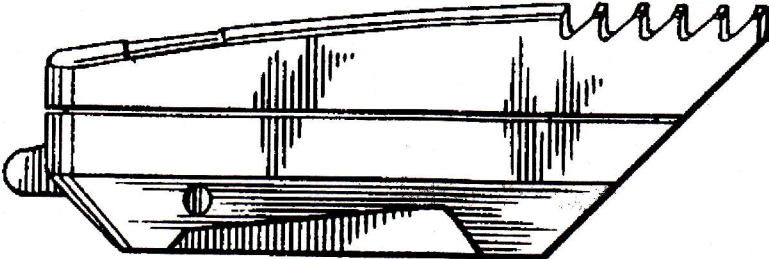


FIG. 6

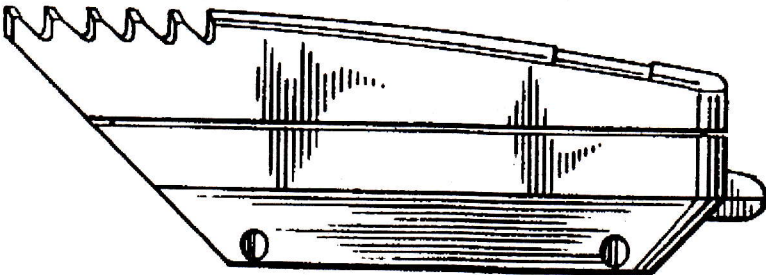


FIG. 7